

Assembly Instruction



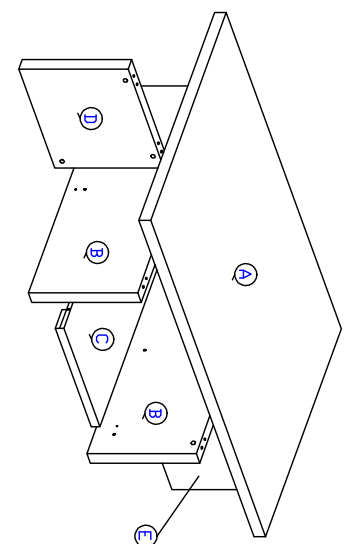
Model : CT - 1190



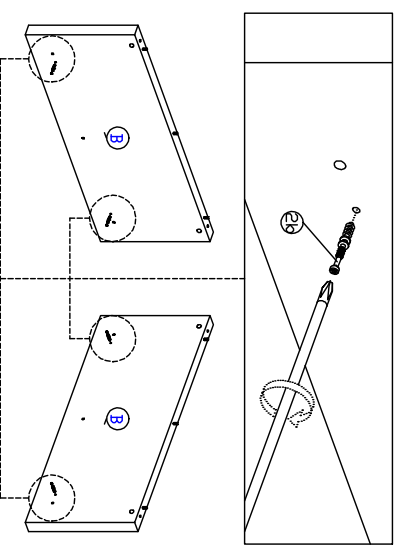
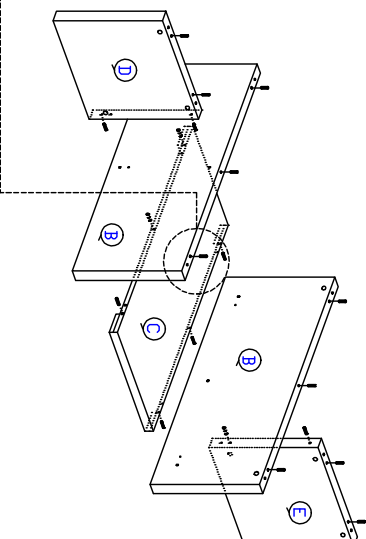
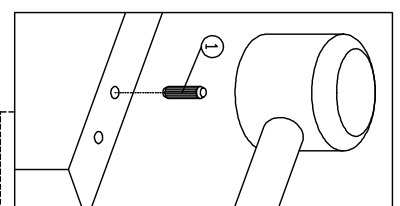
1	8 x 25mm 1X20	2	2 a 2 b 14 Sets	3	1X8
----------	------------------	----------	-----------------------	----------	-----

PART LIST

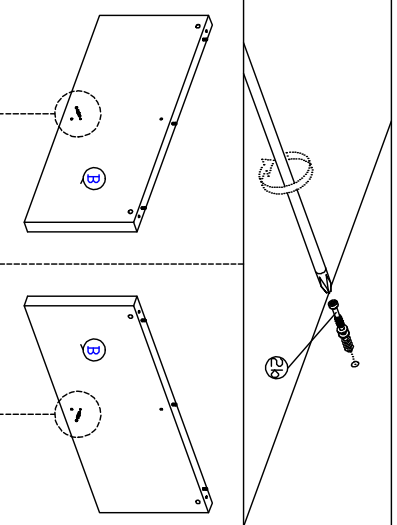
Step 1



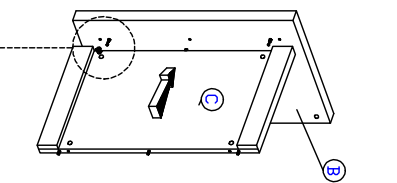
Step 2



Step 3



Step 4



Step 5

